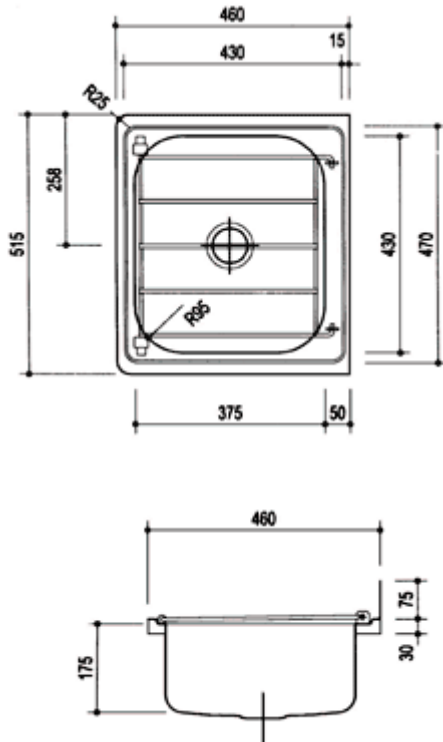


ITB Sales

'Quality products @ exceptional prices'

Cleaners' Sink



CODE: M20

- High quality finish.
- Curved fascia for improved safety – no sharp corners.
- Complete with hinged grate.
- Available with either wall mounted brackets or legs with adjustable feet.
- 75mm splashback.
- 50mm standard waste.

Think **SAFETY**
first – **ONLY** our
products have
radius fascias.

ITB Sales
PO Box 3029

Robina T.C. Queensland Australia 4230

Phone: (Intl +61 7) (07) 3804 7565

Fax: (Intl: +61 7) (07) 3804 7365

Website: <http://www.itb.com.au>

Email: info@itb.com.au

In line with ITB Sales continuous improvement policy, we reserve the right to revise our product specifications without prior notice.