

# ITB Sales

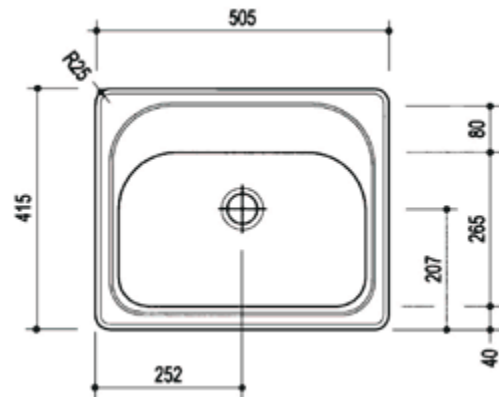
'Quality products @ exceptional prices'

## Hand Basin

### Inset Hand Basin

CODE: IBM02

- Flushline design for inset applications.
- Based on our popular wall mounted design.
- Fixing clips and seal provided.
- 0, 1, 2 or 3 tap holes supplied as requested.
- High quality finish.
- 40mm standard waste.



**ITB Sales**

**PO Box 3029**

**Robina T.C. Queensland Australia 4230**

**Phone: (Intl +61 7) (07) 3804 7565**

**Fax: (Intl: +61 7) (07) 3804 7365**

**Website: <http://www.itb.com.au>**

**Email: [info@itb.com.au](mailto:info@itb.com.au)**

In line with ITB Sales continuous improvement policy, we reserve the right to revise our product specifications without prior notice.